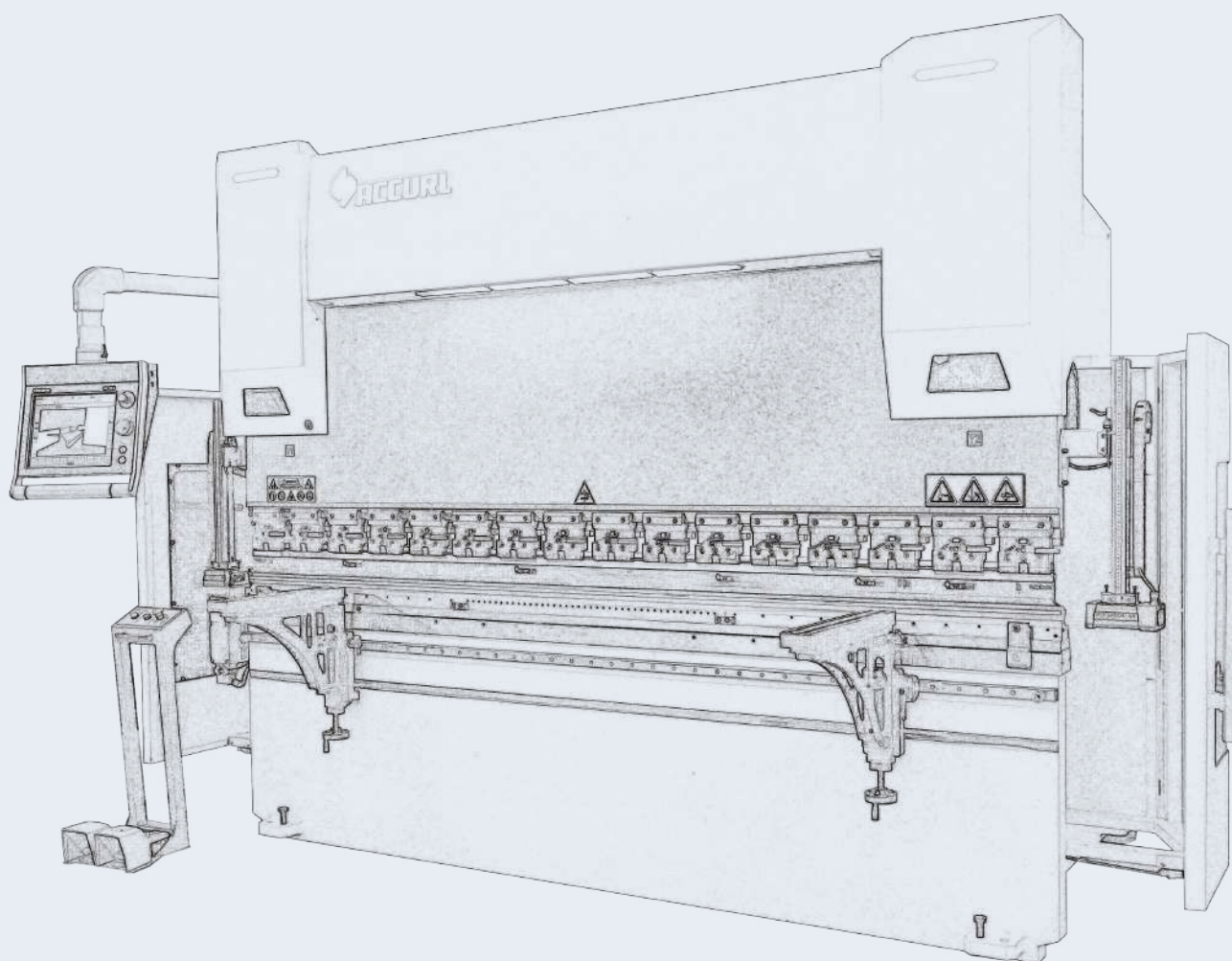


ACCURL CNC PRESS BRAKE

EURO-PRO B SERIES



ACCURL PRO CNC PRESS BRAKE EURO-PRO B SERIES

ACCURL® EURO-PRO B Series press brake features an CNC crowning system for improved quality, a servo driven back gauge system for increased speeds, and 3D capable graphical control unit to simulate bending sequences and collision points. Also has increased working speeds, stroke, daylight, and pressing capacities of PRO Series machines.

The future - as a result of rising energy costs and increasingly cost efficient speed-controlled drives offered on the market, variable-speed solutions are on the advance.



High Capacity

Robust Body

Perfect Precision

Energy Saver

Ergonomic

Precise bending result at fast speed

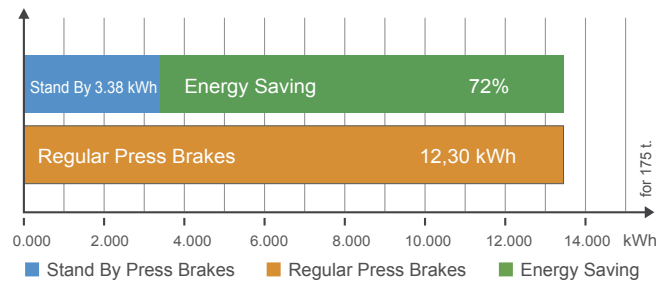
Minimalized tool change and adjustment time

Maximized speed and safety



ADVANTAGES

- High energy-saving potential
- Decreased operating costs
- Clearly reduced cooling effort
- System safety
- Future-oriented technology
- Remarkable noise reduction
- Fewer secondary measures
- Compliance with EU CE Directives
- Decrease in the number of expensive machine failures



STANDARD EQUIPMENT

- DELEM DA-66T CNC control unit with 2D graphics
- 5 axis CNC:
- Y1, Y2 precision ram positioning
- Standard BGA-2 for X, R-axis (X=800mm,R=200mm
- CNC motorized wave crowning
- HOERBIGER hydraulic valve block, pump and valves
- High Siemens efficiency motor– class IE3
- Stand By Function for energy-saving drive.
- Rear cover: Safety barriers (Category IV)
- Sheet metal frontal supports
- Front and rear lighting
- Offline software Delem Profile-TL
- Front cover: AKAS LC-II F safety laser (Category IV) or DSP safety

OPTIONAL EQUIPMENT

- Control unit – DELEM DA69T or ModEva Premium
- CE Defender LazerSafe LZS004 + safety covers with switch
- CE F. AKAS-LC II AKAS-3 M Motorized + FPSC (safety PLC)
- BGA-4 for X , R , Z1, Z2 axis
- BGA-6 for X 1, X2, R 1 , R2 ,Z1, Z2 axis
- Delta X5 axis ± 125 mm with CNC Controlled
- X axis = 1000 mm – light barrier back protection
- AP3-AP4 sheet following system
- Height adjustable laser angle measurement system
- Hydraulic and pneumatic tool clamping systems
- Additional back gauge finger and sliding front support arms

CONTROL SYSTEM

DELEM	Axes	Screen	2D graphic view	3D graphic view	3D graphical programming	Automatic bending sequence	Touch screen	DXF import	CYBELEC
DA-66T (standard)	8	17"	✓	✓	X	✓	✓	○	ModEva 15T
	8	15"	✓	✓	X	✓	✓	X	
DA-69T	8	17"	✓	✓	✓	✓	✓	✓	ModEva RA
	8	15"	✓	✓	✓	✓	✓	✓	

✓ Available

X Unavailable

○ Optional

Delem

CYBELEC
INFRANOR GROUP COMPANY



DA-66T



ModEva 15T



DA-69T



ModEva RA

STAND-BY-ECO FUNCTION

ACCURL® promotes a friendly environmental policy and as such, all our equipment features the Standby Function. ECO-Standby Function ensures an Active economy of energy on an automatic basis.



Stand-By-ECO CNC Genius Press Brake provides energy saving up to 50%

Genius CNC Press Brake has 50% energy saving compared with hydraulic press brakes.



Stand-By-ECO CNC Press Brake provides high productivity

Stand-By-ECO has high acceleration, high deceleration. The quick change of the moving direction is an advantage for high productivity and efficiency and has less maintenance cost.



Stand-By-ECO Press Brake is ECO - friendly machine

The STAND-BY combines high accuracy, flexibility and reliability, this concept offers low power consumption, less maintenance.



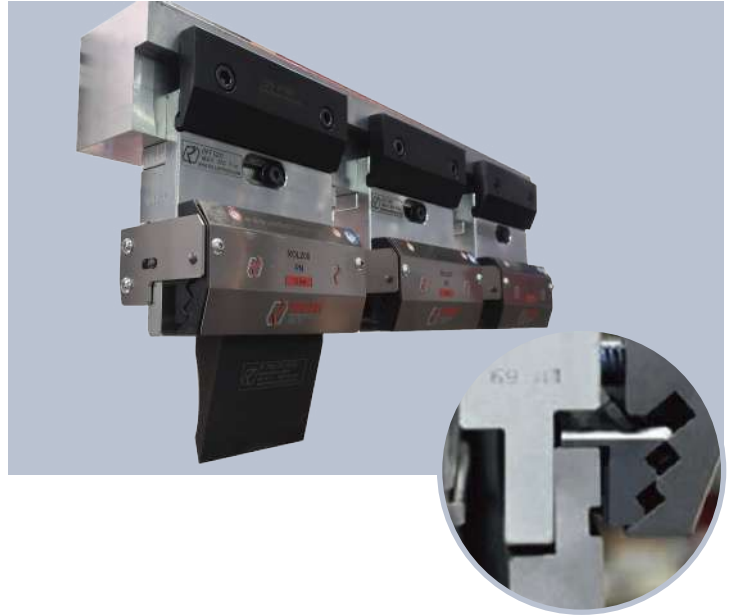
Stand-By-ECO CNC Press Brake works quietly

Stand-By working system has no noise and provides silently working conditions.

ROLLERI PNEUMATIC CLAMPING SYSTEMS ROL200(OPTIONAL)

The New ROLLERO clamping ROL200 system enables manual, pneumatic or hydraulic vertical clamping of your top tools. The special features are the enormously simple handling and the surprisingly low price, which guarantees huge efficiency.

- fast vertical tool change for all Rolleri R1 type punches
- safe and fast tool change
- substantial improvement in time consumption and related costs
- Secure against tool falling down
- Available in manual, pneumatic and hydraulic models
- Mounting: Simply from the bottom into the housing, tighten-DONE!
- Easy to mount on your press brake. Modification of the press brake is not necessary

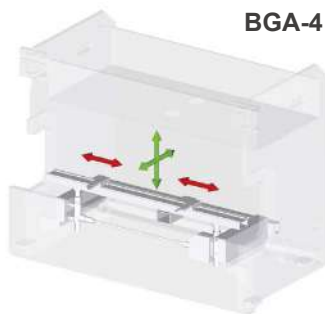


CNC BACKGAUGE

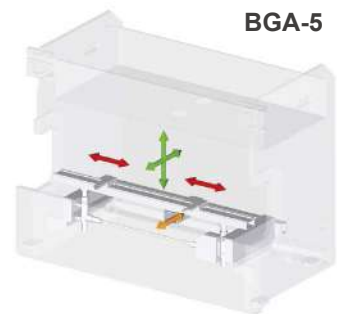
ACCURL press brake are provided are equipped with a backgauge constituted by a solid structure in order to assure the best repetitiveness and high precision in axes positioning.



2 axes Y1-Y2-X-R



4 axes Y1-Y2-X-R-Z1-Z2



5 axes Y1-Y2-X1-R-X5-Z1-Z2

/ BGA

		Axes	X	R	Z1	Z2	X5
BGA 2	2 axes X+R (Standard)						
BGA 4	4 axes X+R+Z1+Z2 (Optional)						
BGA 5	5 axes X+R+Z1+Z2+X2 (Optional)						
		Stroke (mm)	750 (1000)	150	Under request*	Under request*	190
		Speed (mm/s)	500	170	2000	2000	300
		Precision (mm)	0.01	0.05	0.05	0.05	0.01
		Type of motor	Servo Drive	Servo Drive	Servo Drive	Servo Drive	Servo Drive
		Mechanical system	Ball screw	Ball screw	Rack	Rack	Ball screw

LAZERSAFE SYSTEM (OPTIONAL)

ACCURL machines comply with the strictest EU regulations with reference to safety. The devices installed guarantee thorough safety of the operator without reducing the pace of work.

- The most advanced laser systems
- Safety PLCs able to manage and monitor the action of the proportional valves
- Visible dual beam linked to the upper tool: should it be interrupted, it blocks the movement of the press brake
- Easy adjustment by means of a grading scale
- Constant monitoring of parameters related to safety

IRIS

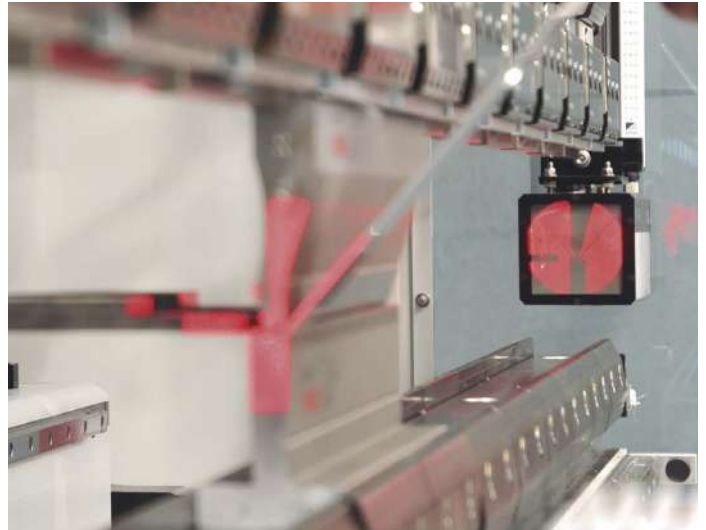
The best in terms of safety: working cycles are faster thanks to the speed change at 0mm from the contact with the sheet. The speed management is determined by the processed parts.

IRIS PLUS

Speed and precision: the speed change is set at 0mm from the contact with the sheet and the angle control system ensures high quality results from the first bend.

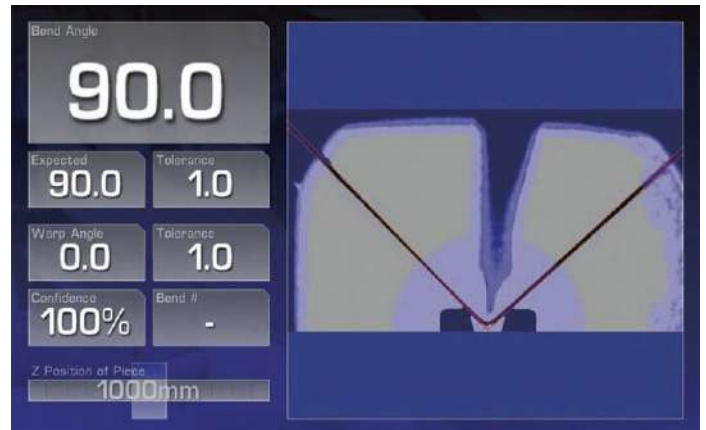
Final Angle Confirmation




Final Angle Confirmation is a function where, during decompression, IRIS processes real time images to automatically detect the material relaxation point and measure the final bend angle.



IRIS Model Comparison

	IRIS	IRIS Plus
Optical range (metres)	8m	4m
Bend Speed management	●	●
Active Angle Control		●
Dynamic Angle Control		●
Spring Back Calculation		●
Final Angle Confirmation		●

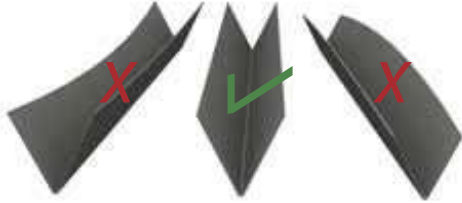


Model	Type	St Op	Distance from table	Automatic adjustment	Fast bend speed management	Automatic Tool Scan
 LZS-LG-HS	Dual Laser	○	6 mm	X	X	X
 LZS-005	Block Laser / Camera	○	2 mm	X	X	✓
 IMG-100	Block Laser / Camera	○	2 mm	X	✓	✓

✓ Yes X No-Standard ○ Optional

AUTOMATIC CROWING SYSTEM

This system enables the user to offset deformations of the beam while bending. Thus, the angle is keeping constant along the entire plate length.



Exaggerated to Demonstrate



SMART-FAB comes standard with manual or optional CNC crowning
EURO-PRO comes standard with CNC crowning



SPECIFICATIONS

Type	Bending Length mm	Bending Capacity KN	Distance between side frames mm	Gap mm	Daylight Opening mm	Stroke mm	Table Height mm	Table Width mm	Fast Approach Speed mm/s	Max. Bending Speed mm/s	Return Speed mm/s	Motor Power kw	Length+/- mm	Width+/- mm	Height+/- mm	Weight+/- kg	Backgauge stroke mm
B 1563	1500	630	1100	370	350	200	870	80	200	10	160	5.5	1825	1650	2600	4600	750
B 2563	2500	630	2060	370	350	200	870	80	200	10	160	5.5	2825	1650	2430	5600	750
B 32110	3200	1100	2700	400	430	200	940	100	200	10	160	7.5	4200	1800	2630	8000	750
B 40110	4000	1100	3300	400	430	200	940	100	200	10	160	7.5	4800	1800	2700	9500	750
B 32135	3200	1350	2700	400	430	200	940	100	200	10	160	11	4200	1800	2660	8800	750
B 40135	4000	1350	3300	400	430	200	940	100	200	10	160	11	4800	1900	2700	10000	750
B 32175	3200	1750	2700	400	430	200	940	100	180	10	140	11	4200	1900	2700	10000	750
B 40175	4000	1750	3300	400	430	200	940	100	180	10	140	11	4500	1900	2750	12000	750
B 32220	3200	2200	2700	400	470	200	950	140	180	10	140	18.5	4200	1800	2900	15000	750
B 40220	4000	2200	3300	400	470	200	1050	140	180	10	140	18.5	5000	1800	3000	17000	750
B 32250	3200	2500	2700	400	500	250	1080	180	160	10	140	22	4300	2000	3180	16000	750
B 40250	4000	2500	3300	400	500	250	1080	180	160	10	140	22	4900	1730	3180	18000	750
B 30300	3200	3000	2700	400	560	300	1160	180	120	8	85	22	4300	2150	3360	20000	750
B 40300	4000	3000	3300	400	560	300	1160	180	120	8	85	22	4900	2150	3360	20000	750
B 50300	5000	3000	4050	400	4560	300	1180	180	120	8	85	18.5	5300	2250	3320	26000	750
B 40400	4000	4000	3300	450	400	320	880	200	120	8	80	30	4300	2200	3580	27000	750
B 50400	5000	4000	4050	450	400	320	880	200	100	8	80	30	5300	2250	3600	32000	750
B 60400	6000	4000	5050	450	400	320	880	200	100	8	80	30	6400	2300	3670	38000	750
B 60500	6000	5000	5050	450	610	320	990	300	100	8	75	37	6500	2700	5000	55000	1000
B 60600	6000	6000	5050	450	650	320	990	300	80	8	80	40	6500	2700	5000	65000	1000

